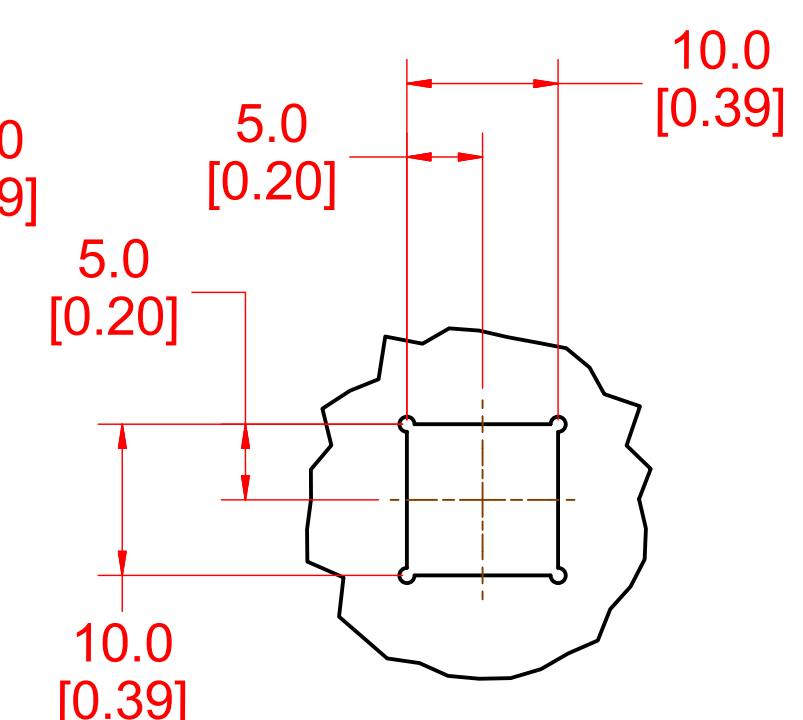
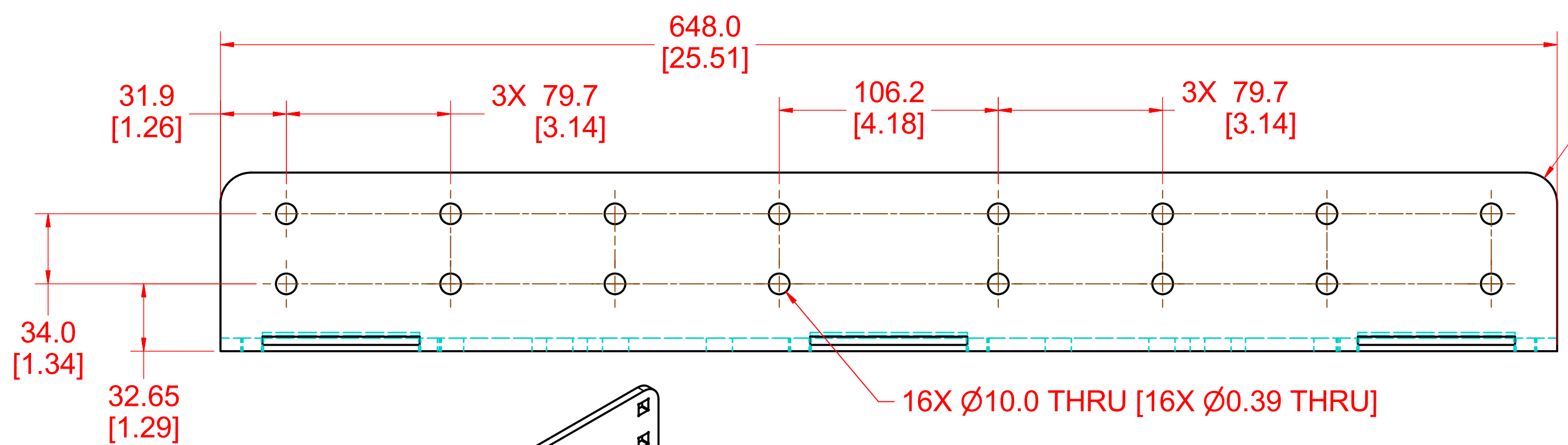
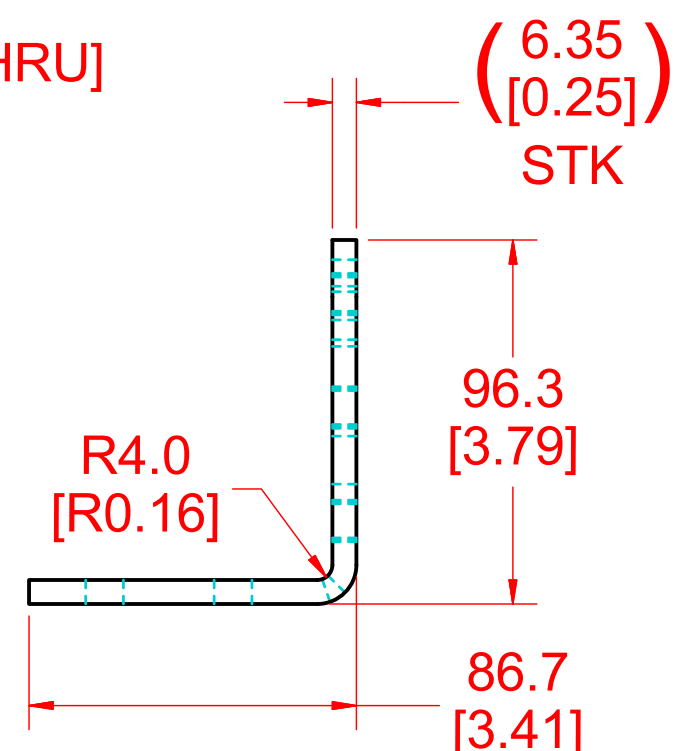
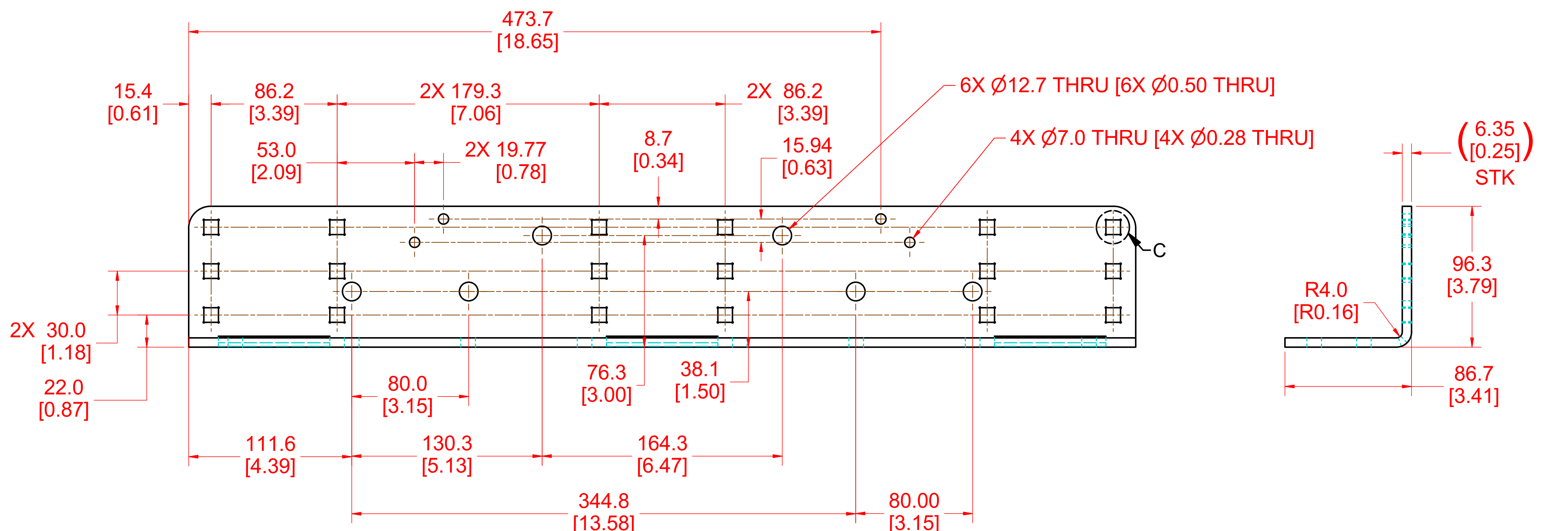


4

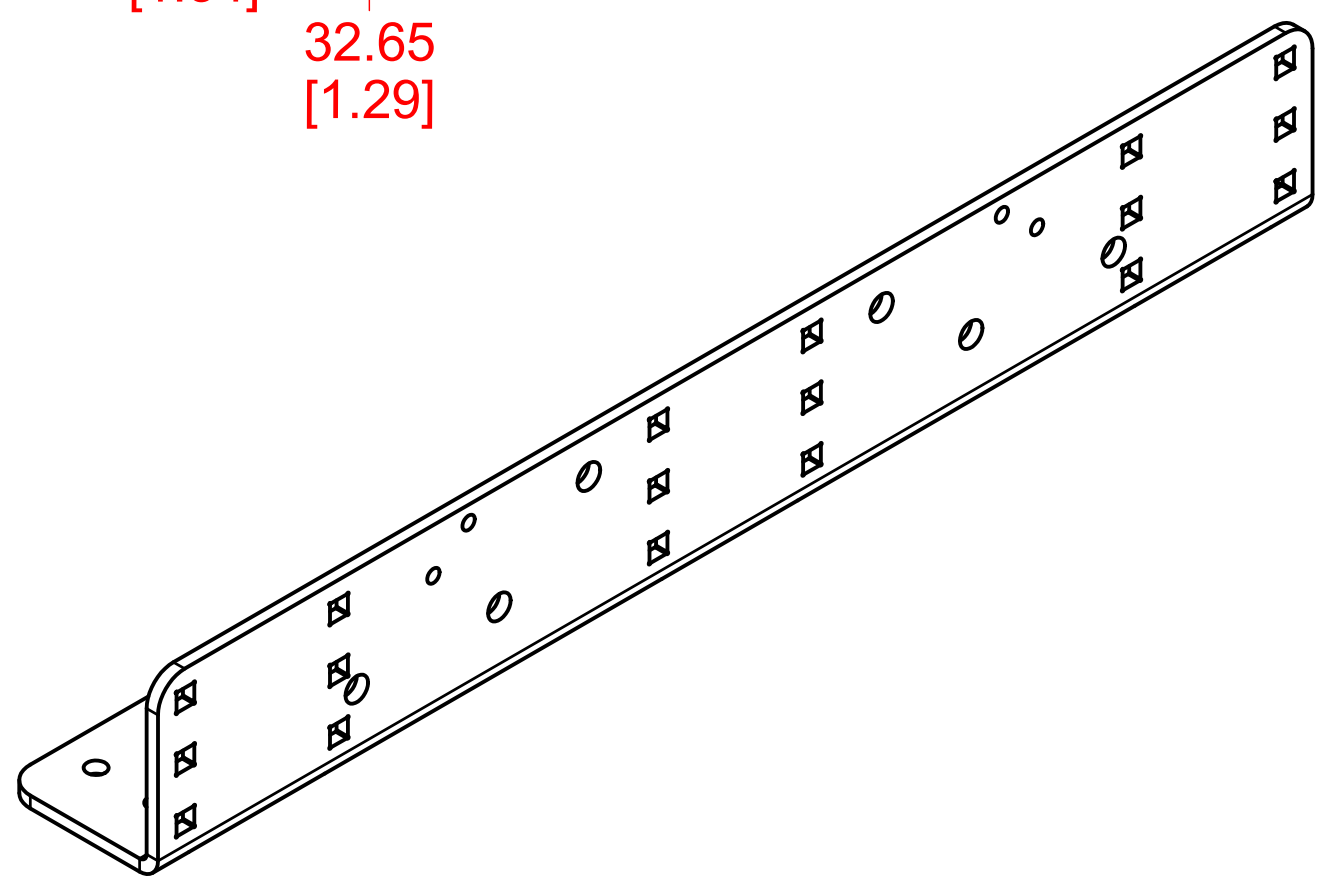
3

2

1



DETAIL C  
SCALE 2: 1  
18 Places



PRIMARY DIMENSIONS ARE IN MILLIMETERS. DIMENSIONS IN BRACKETS ARE IN INCHES AND ARE REFERENCE ONLY. <b>PROPRIETARY INFORMATION</b> THIS DRAWING AND ITS CONTENTS ARE CONFIDENTIAL AND ARE THE PROPERTY OF KM SERVICES, INC. ANY REPRODUCTION OF THIS DRAWING OR ANY PART IN ANY MANNER IS PROHIBITED WITHOUT THE WRITTEN PERMISSION OF KM SERVICES. COPYRIGHT © 2019	OPEN DIMENSION TOLERANCES X = +/- 1 X.X = +/- 0.5 X.XX = +/- 0.3 *STOCK* = +/- 1.5 ANGLES = +/- 0.5° SURFACE FINISH (MICRO METERS) 3.2 THIRD ANGLE PROJECTION ALL SURFACE FINISHES TO COMMERCIAL TOLERANCES UNLESS OTHERWISE SPECIFIED	<b>KM SERVICES INC., WILLIAMSBURG, VA 23185</b>		DRAWN: MKS DATE: 5/21/2022
	WEIGHT: <b>N/A</b> MATERIAL: <b>MILD STEEL</b>	DWG. TITLE <b>BASE BRACKET</b>		ENG CHK: KMS SIZE: C SHEET: 1 OF 3 SCALE:
	FINISH: HEAT TREAT:	DWG NUMBER <b>6000049</b>		<b>1:2</b> REV <b>012</b>
	DEBURR HOLES AND BREAK ALL EDGES TO ±0.2	SCALE:		

4

3

2

1

4

3

2

1

D

D

C

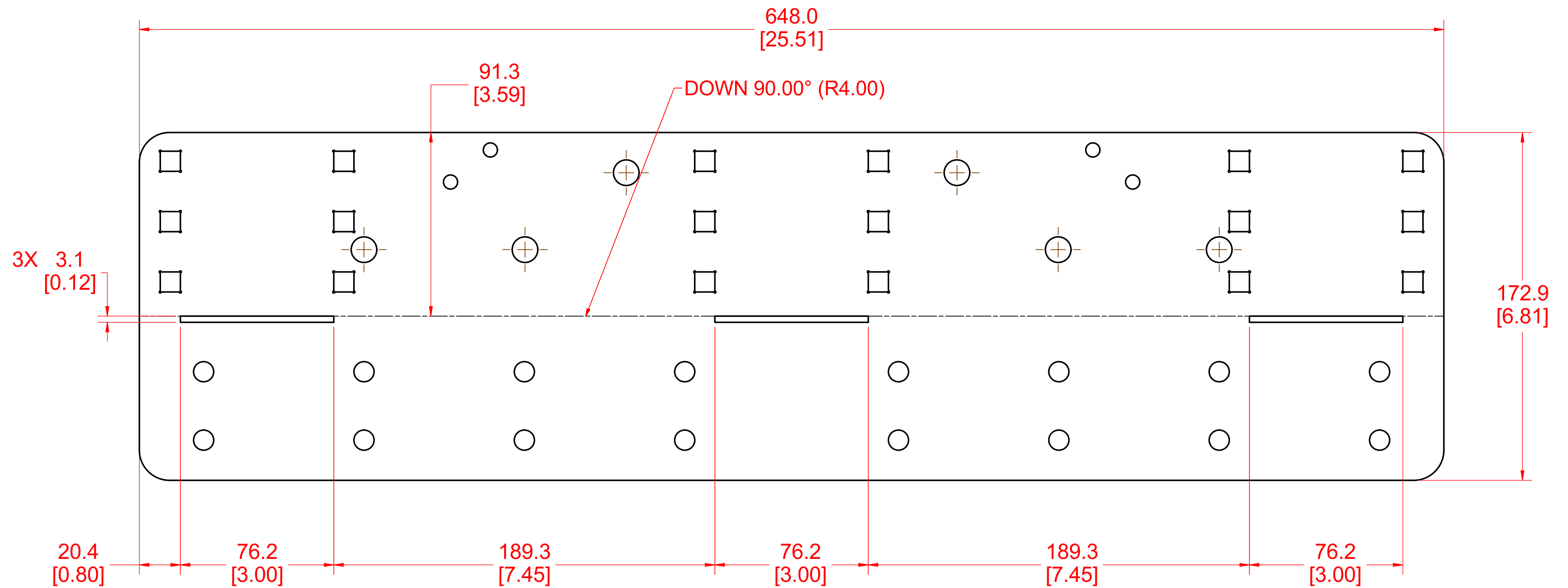
C

B

B

A

A



FLAT PATTERN  
SCALE 2 :3

PRIMARY DIMENSIONS ARE IN MILLIMETERS. DIMENSIONS IN BRACKETS ARE IN INCHES AND ARE REFERENCE ONLY. <b>PROPRIETARY INFORMATION</b> THIS DRAWING AND ITS CONTENTS ARE CONFIDENTIAL AND ARE THE PROPERTY OF KM SERVICES, INC. ANY REPRODUCTION OF THIS DRAWING OR ANY PART IN ANY MANNER IS PROHIBITED WITHOUT THE WRITTEN PERMISSION OF KM SERVICES. COPYRIGHT © 2019	OPEN DIMENSION TOLERANCES X = +/- 1 X.X = +/- 0.5 X.XX = +/- 0.3 *STOCK* = +/- 1.5 ANGLES = +/- 0.5° SURFACE FINISH (MICRO METERS) 3.2 ✓	<b>KM SERVICES INC., WILLIAMSBURG, VA 23185</b>		DRAWN: MKS DATE: 5/21/2022
	THIRD ANGLE PROJECTION	WEIGHT: <b>N/A</b> MATERIAL: <b>MILD STEEL</b> FINISH: HEAT TREAT:	DWG. TITLE <b>BASE BRACKET</b>	ENG CHK: KMS SIZE: C SHEET: 2 OF 3 SCALE: 2 :3
ALL SURFACE FINISHES TO COMMERCIAL TOLERANCES UNLESS OTHERWISE SPECIFIED	DEBURR HOLES AND BREAK ALL EDGES TO ±0.2	DWG NUMBER <b>6000049</b>	REV <b>012</b>	

4

3

2

1

